

15800-0  
15801-0  
15802-0  
15803-0

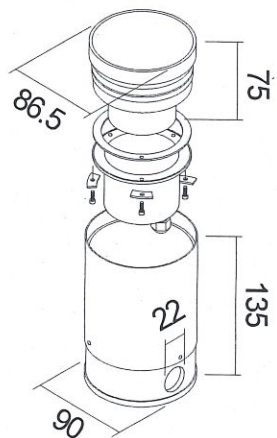
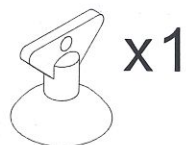
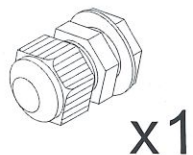


Fig.1

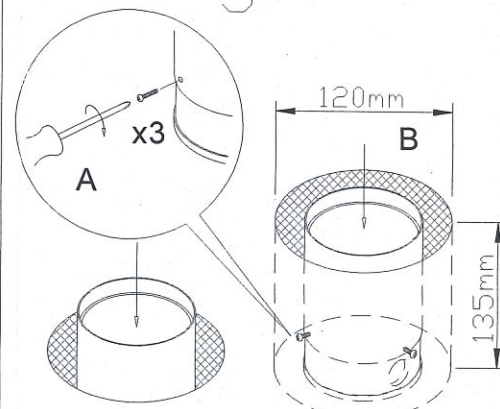


Fig.2

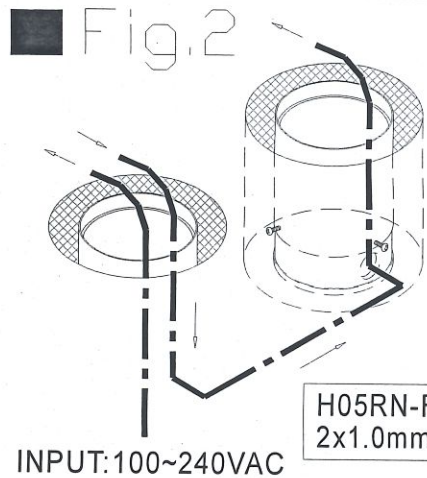


Fig.3

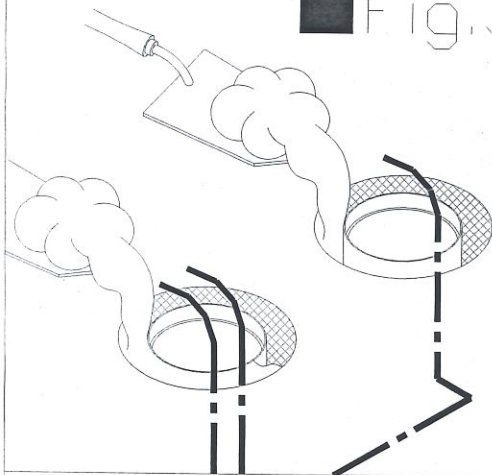


Fig.4

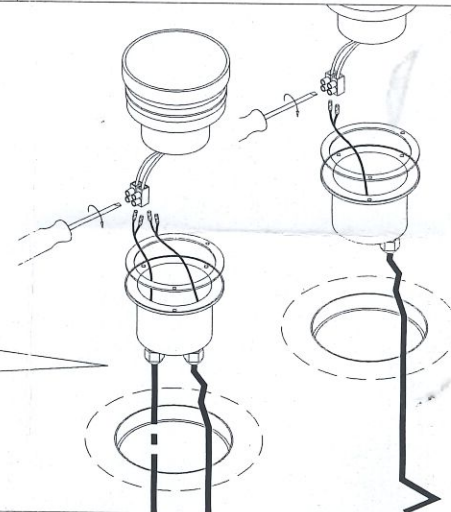
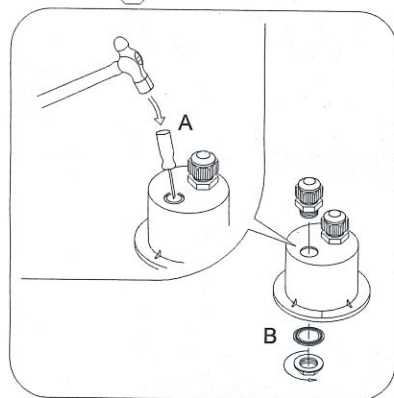


Fig.5

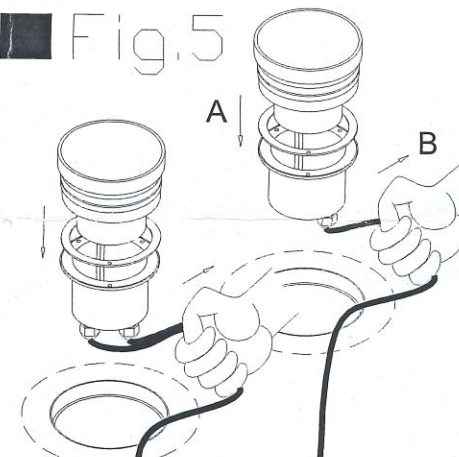


Fig.6

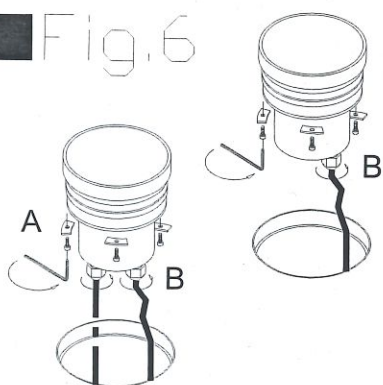


Fig.7

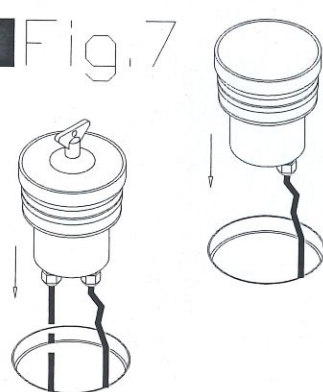
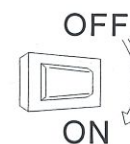
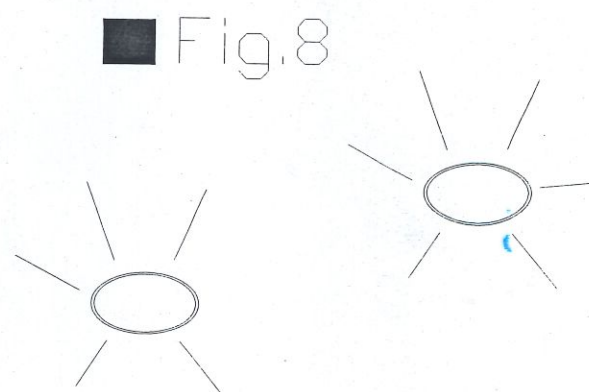


Fig.8



NEXIA ILUMINACION,S.L.  
C/Josep Tura, 13 I  
08181 Sentmenat  
Tel.937154712  
Fax.937154713